



Cambridge International Examinations
Cambridge International General Certificate of Secondary Education

CANDIDATE
NAME

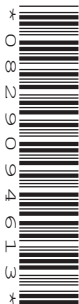
--

CENTRE
NUMBER

--	--	--	--	--

CANDIDATE
NUMBER

--	--	--	--



COMBINED SCIENCE

0653/31

Paper 3 (Extended)

October/November 2015

1 hour 15 minutes

Candidates answer on the Question Paper.

No Additional Materials are required.

READ THESE INSTRUCTIONS FIRST

Write your Centre number, candidate number and name on all the work you hand in.

Write in dark blue or black pen.

You may use an HB pencil for any diagrams, graphs, tables or rough working.

Do not use staples, paper clips, glue or correction fluid.

DO NOT WRITE IN ANY BARCODES.

Answer **all** questions.

Electronic calculators may be used.

You may lose marks if you do not show your working or if you do not use appropriate units.

A copy of the Periodic Table is printed on page 24.

At the end of the examination, fasten all your work securely together.

The number of marks is given in brackets [] at the end of each question or part question.

This document consists of **22** printed pages and **2** blank pages.

- 1 (a) Fig. 1.1 shows some features of the human gas exchange system. Use lines to connect each feature with its benefit to the system. One line is drawn for you.

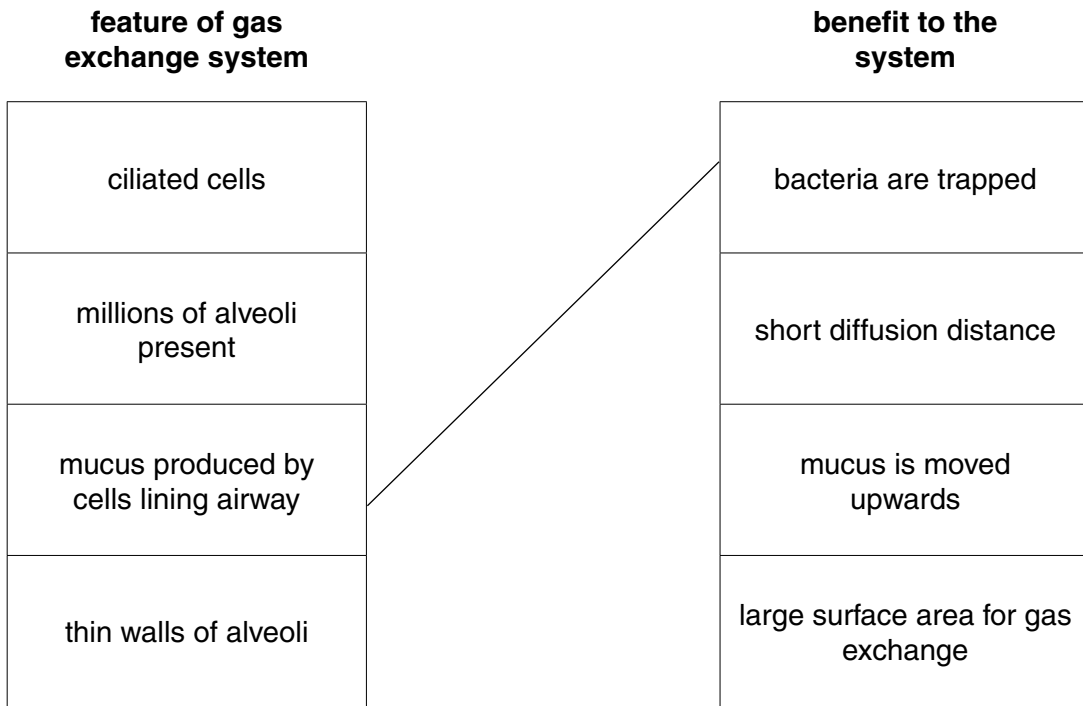


Fig. 1.1

[2]

- (b) (i) Describe how each of these features is affected by cigarette smoking.

mucus production

.....
.....

ciliated cells

.....
.....[2]

- (ii) Explain how the effects you described in (b)(i) make lung infections more likely.

.....
.....
.....[1]

(c) One of the products of smoking is the gas carbon monoxide. This gas reduces the ability of the blood to carry oxygen. Oxygen is needed by all cells to carry out aerobic respiration.

(i) Write the balanced symbol equation for aerobic respiration.

.....[2]

(ii) Describe how the blood transports oxygen around the body.

.....
[1]

(d) Smoking a cigarette causes the level of carbon monoxide in the blood to increase. This level gradually falls if no more cigarettes are smoked.

A group of people were trying to give up smoking. The level of carbon monoxide in their blood was tested four times during the day and the results compared with those of a non-smoker.

The results are shown in Table 1.1.

Table 1.1

person	units of carbon monoxide in the blood			
	08.00 hours	11.00 hours	14.00 hours	17.00 hours
A	1.9	1.5	1.3	1.0
B	3.4	2.2	4.8	3.6
C	3.7	2.6	2.0	1.6
D (non-smoker)	0.6	0.5	0.5	0.5

Use the information in Table 1.1 to

(i) suggest which person had most recently smoked **before** any readings were taken. Explain your answer.

person

explanation
[1]

(ii) state which person may have smoked a cigarette **during** the day and explain your answer.

.....

[2]

- 2 (a) Fig. 2.1 shows samples of elements in Group VII of the Periodic Table. The elements are shown at room temperature.

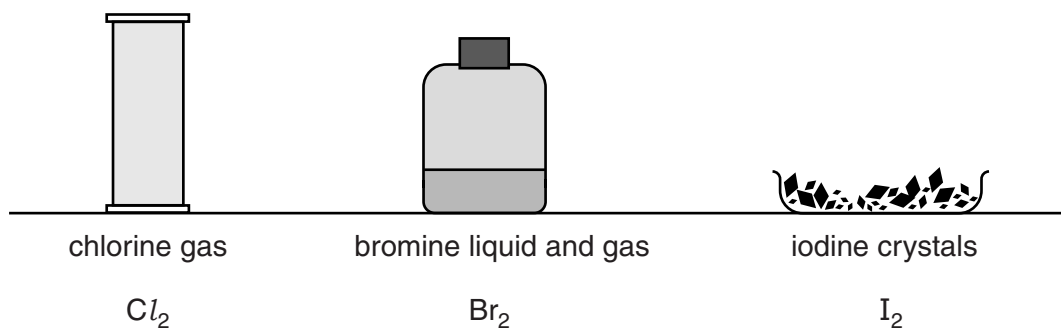


Fig. 2.1

Describe the trend in melting point down Group VII.

.....
[1]

- (b) Fig. 2.2 shows what happens when a student adds colourless chlorine solution to a colourless solution of sodium bromide, NaBr.

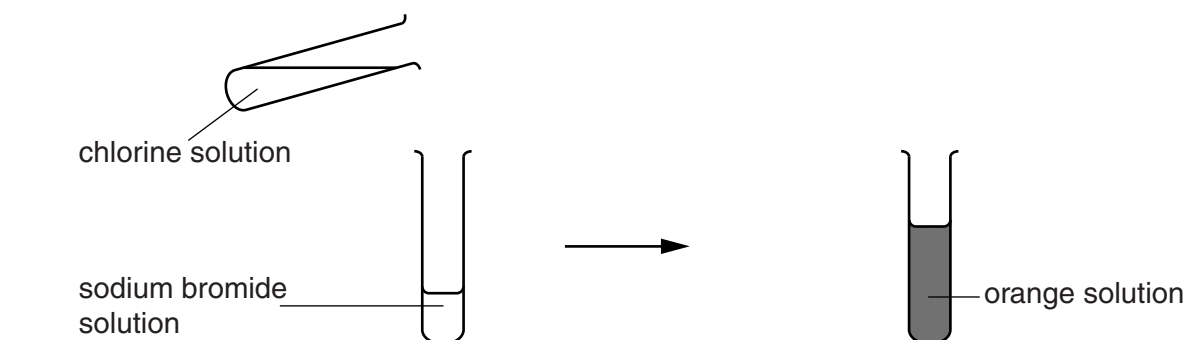


Fig. 2.2

The resulting mixture is orange.

- (i) State the name of the substance formed which gives the final mixture this colour.

.....[1]

- (ii) Write a balanced chemical equation for the reaction that occurs.

.....[2]

- (iii) Write in order of reactivity the halogens bromine, chlorine and iodine.

most reactive

.....

least reactive

[1]

- (iv) Use this trend in reactivity to explain why fluorine **cannot** be displaced from sodium fluoride by another halogen.

.....

.....

.....

.....[2]

- (c) Fluorine gas is extracted by electrolysis.

Fig. 2.3 shows the electrolysis cell that is used.

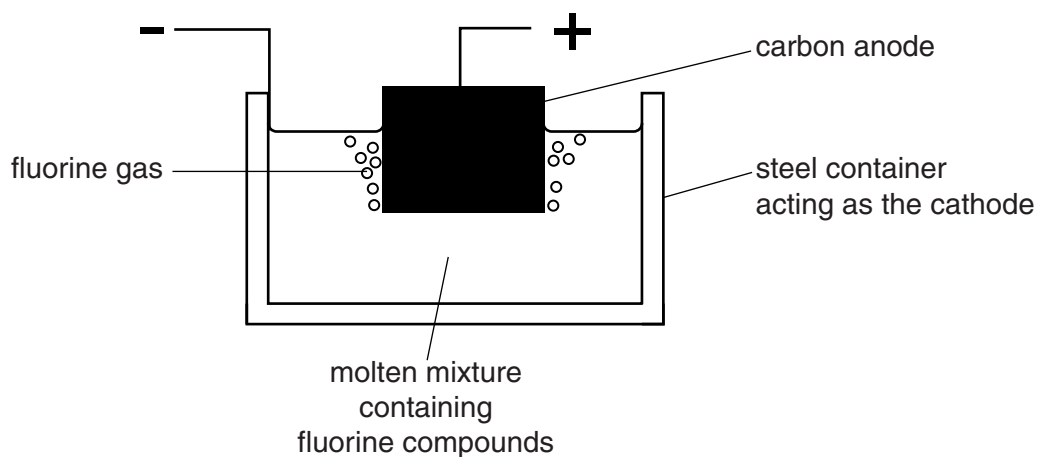


Fig. 2.3

The fluorine compounds which are used contain fluoride ions, F^- .

Describe how fluoride ions become fluorine atoms at the anode of the cell.

.....

.....

.....[2]

- 3 Fig. 3.1 shows a man bungee jumping. He is attached to a long elastic rope as he jumps off a bridge.

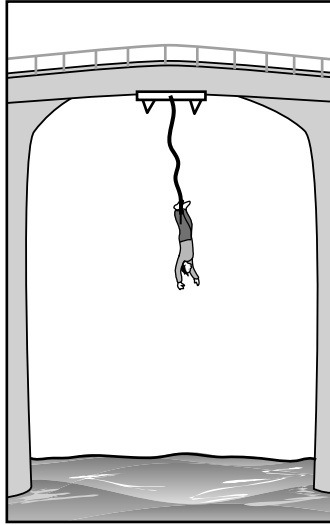


Fig. 3.1

Fig. 3.2 shows the jump at several stages from the time the man jumps off the bridge.

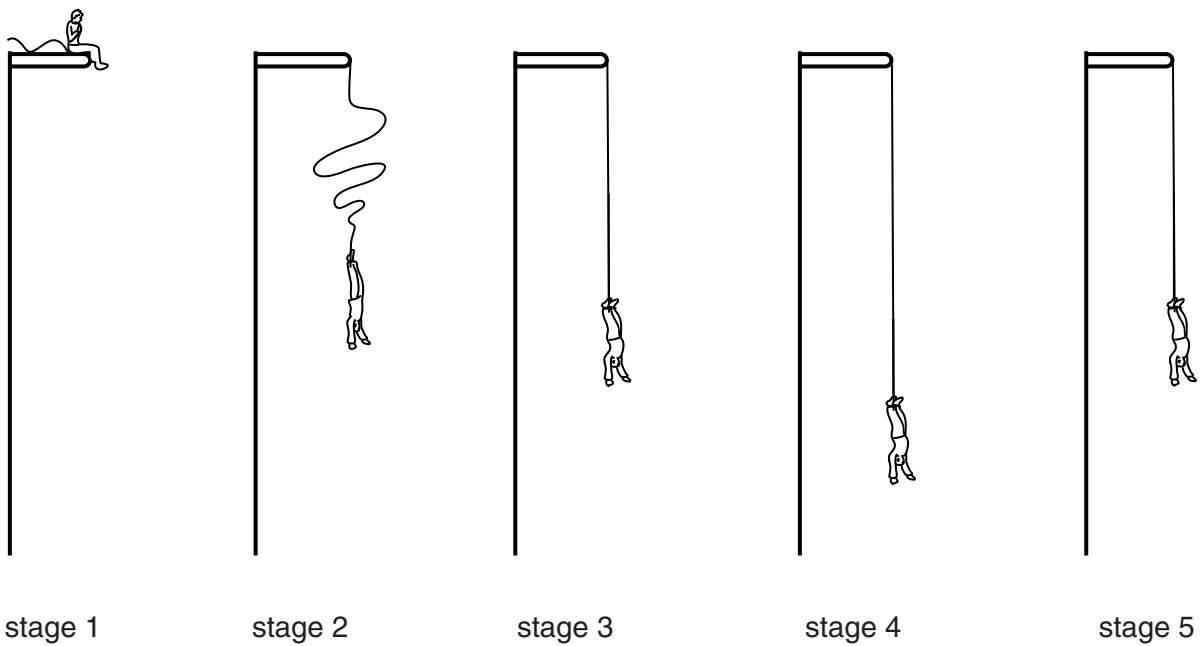


Fig. 3.2

- (a) (i) Identify the main force acting on the man just after he jumps off the bridge.

.....[1]

- (ii) As the man falls, another force, air resistance, acts on him to reduce his acceleration.

On Fig. 3.3, draw an arrow to show the direction in which air resistance is acting on the man.



Fig. 3.3

[1]

- (b) (i) Tick the box or boxes beside the correct statement or statements in the list below.

When the man reaches his lowest point

the speed of the man becomes zero,

the acceleration of the man becomes zero,

the tension in the rope becomes zero.

[1]

- (ii) As the man falls, the rope begins to stretch.

On the axes below, sketch a speed/time graph to show how his speed changes as the rope stretches until he reaches the lowest point.



[2]

- (c) (i) Identify the energy transformations occurring from the time the man jumps until he reaches his lowest point.

from gravitational potential energy

to energy

to energy.

[1]

- (ii) At the lowest point, the length of the rope is 40m. The man has a mass of 80 kg.

Calculate the gravitational potential energy loss that occurs during the fall to the lowest point.

State the formula used and show your working.

$$(g = 10 \text{ N/kg})$$

formula

working

gravitational potential energy loss = J [2]

Please turn over for Question 4.

- 4 (a) Fig. 4.1 shows two plant cells as seen under the light microscope. They are not drawn to scale.

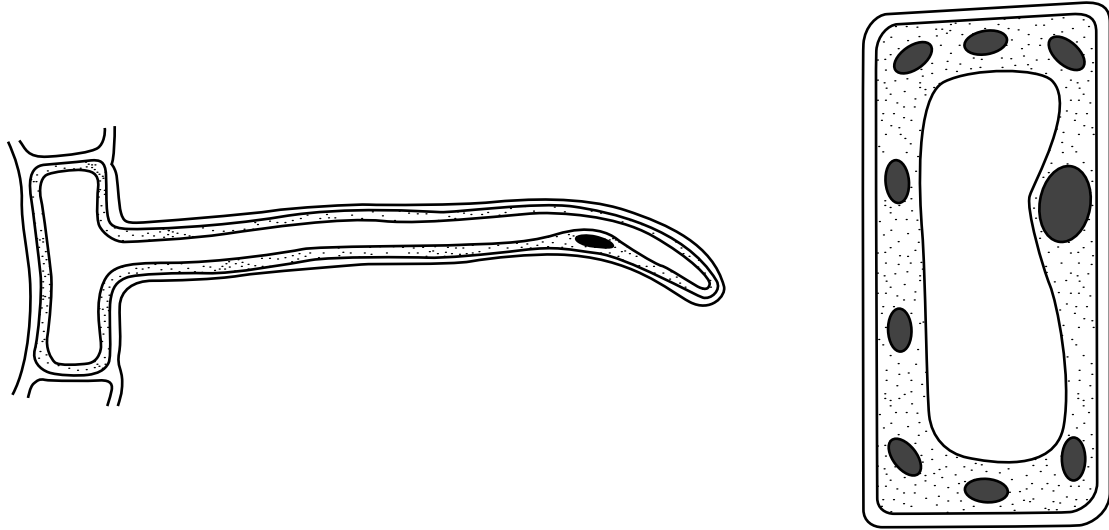


Fig. 4.1

- (i) On one of the plant cells in Fig. 4.1 label **two** cell parts that are present in **both** of these plant cells but are absent from animal cells. Use label lines and the correct names for your answer. [2]

- (ii) Describe the functions of the two cell parts you have labelled in (a)(i).

cell part

function

.....

cell part

function

.....[2]

(b) Fig. 4.2 shows two leaves of approximately the same length. They were both taken from different regions of the same oak tree.

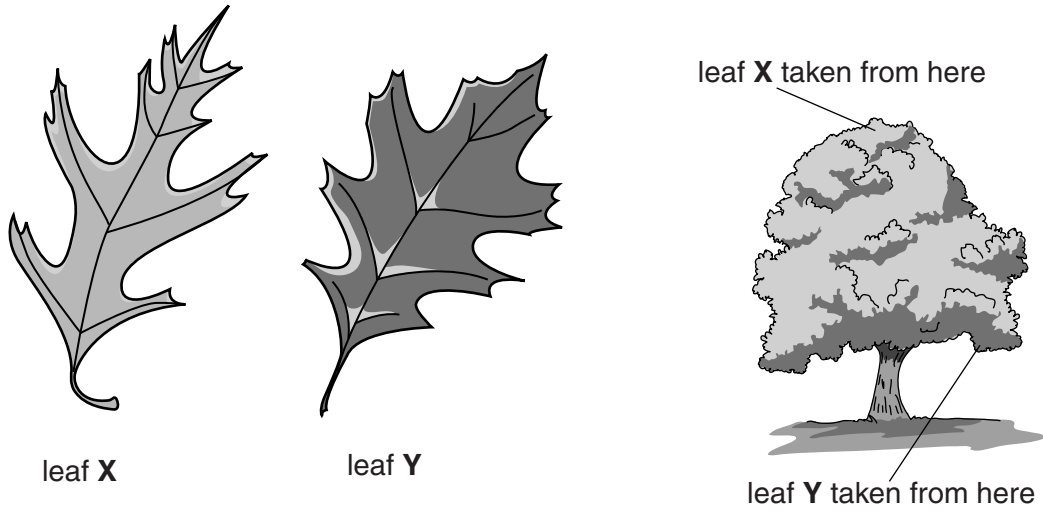


Fig. 4.2

Leaf X gets full sun. Leaf Y is in a shaded location.

(i) Describe one difference in structure between leaf X and leaf Y.

.....
.....[1]

(ii) Suggest one advantage to the tree of having leaves of shape X at the top of the tree.

.....
.....
.....
.....[2]

(iii) Suggest one advantage to the tree of having leaves of shape Y at the bottom of the tree.

.....
.....
.....
.....[2]

5 Methane is a hydrocarbon which is used as a fuel.

(a) State one source of methane.

.....

[1]

(b) Fig. 5.1 shows a demonstration of an explosion caused when methane burns.

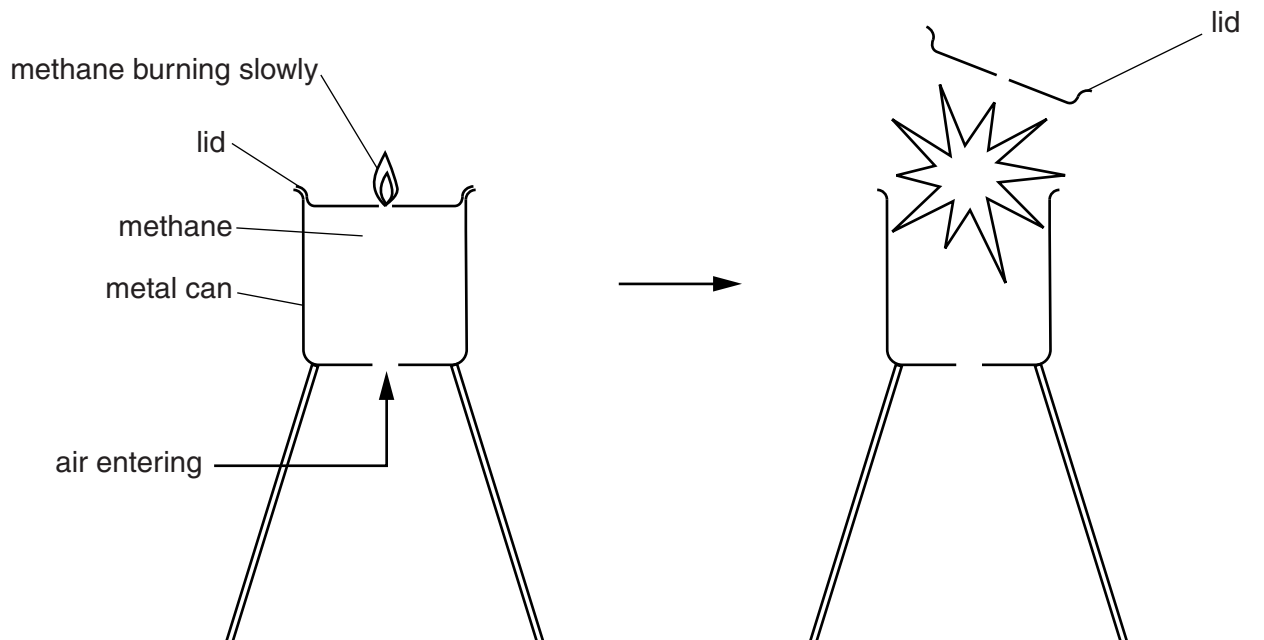


Fig. 5.1

- At first, methane escapes through the hole in the lid and burns slowly.
- As methane leaves the can, air enters through the hole in the base.
- When enough air has entered, an explosion occurs.

(i) Table 5.1 compares the three main gases in the can just before and just after the explosion.

Table 5.1

gases present just before the explosion	gases present just after the explosion
methane	
oxygen	

Complete Table 5.1 to show the main gases present just before and just after the explosion.

[2]

- (ii) The explosion occurs when the rate of combustion of methane suddenly increases. This causes a rapid increase in temperature of the gases in the can.

Describe an energy transformation which occurs during this reaction.

.....
[1]

- (iii) State the term used to describe a chemical reaction which causes an increase in temperature.

..... [1]

- (c) Methane reacts with oxygen when it burns.

- (i) Use the Periodic Table on page 24 to deduce and explain

the number of electron shells in an oxygen atom,

number

explanation

.....

the number of electrons in the outer shell of an oxygen atom.

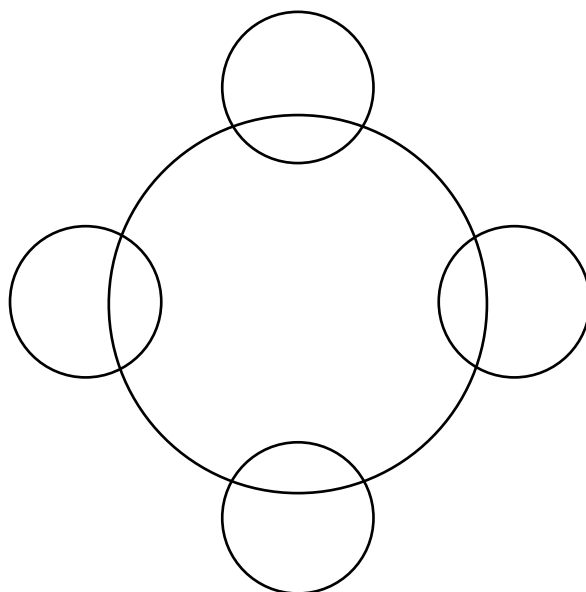
number

explanation

.....[2]

(ii) Complete the covalent bonding diagram of one molecule of methane to show

- the chemical symbols of each atom,
- how the outer electrons of each atom are arranged.



[2]

(d) (i) State the group in the Periodic Table that contains **only** unreactive gaseous elements.

.....

[1]

(ii) Explain why these elements are unreactive.

.....

.....[1]

6 (a) (i) Fig. 6.1 shows a glass block and a ray of light entering a glass block.

On Fig. 6.1 complete the path of the ray of light as it enters and passes through the block, and out into the air on the other side.

On your diagram, indicate clearly the angle of incidence i and the angle of refraction r as the ray passes into the block.

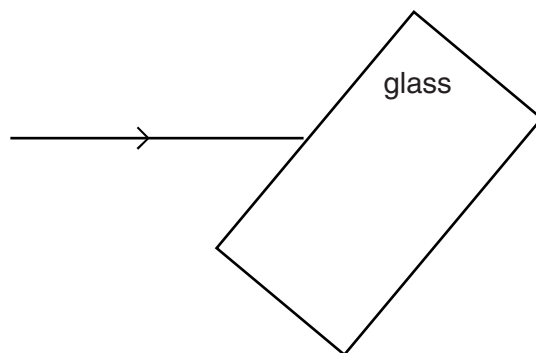


Fig. 6.1

[3]

(ii) The Sun is visible to a person at point X, as shown in Fig. 6.2. The dotted line shows the outer limit of the Earth's atmosphere.

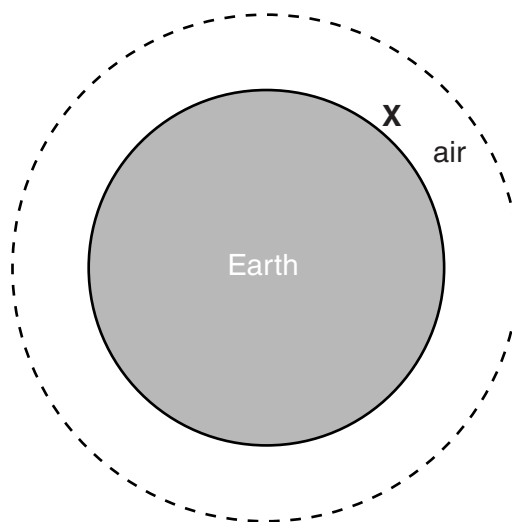
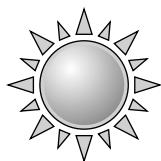


Fig. 6.2

The Earth is between the person at X and the Sun.

On Fig. 6.2 draw the path of a ray from the Sun that reaches point X to show how the person at X can still see the Sun.

Explain why the person at X can still see the Sun.

.....

.....

.....[2]

(b) Electromagnetic radiation from the Sun warms the Earth.

(i) State the form of electromagnetic radiation mainly responsible for this energy transfer from the Sun.

.....[1]

(ii) Suggest why, on a sunny day, the temperature of the sand on a beach next to the sea is higher than the temperature of the sea-water.

.....
.....[1]

(c) When electromagnetic waves move from a vacuum to the atmosphere, they slow down, but their frequency remains the same.

Explain why the wavelength of light changes as light from the Sun enters the Earth's atmosphere.

.....
.....
.....
.....[2]

- 7 The tree shown in Fig. 7.1 was blown over during a storm. Shortly afterwards, fungi began to grow on the tree trunk.



Fig. 7.1

- (a) The fungi are decomposers.

Define the term *decomposers*.

.....
.....
.....
.....[2]

- (b) The fungi secrete their digestive enzymes into the wood of the tree trunk.

- (i) Suggest why the fungi secrete these enzymes into the tree trunk.

.....
.....
.....
.....[2]

- (ii) The rate of digestion of the wood by the fungi is affected by the pH of the wood.

Suggest how the rate of digestion of the wood by the fungi is changed if acid rain has been falling on the tree trunk for some time.

Explain your answer.

.....
.....
.....
.....[2]

- 8 A student investigates the speed of reaction between metals and dilute hydrochloric acid. He knows that adding dilute hydrochloric acid to iron wire will produce hydrogen gas. Fig. 8.1 shows the apparatus he uses.

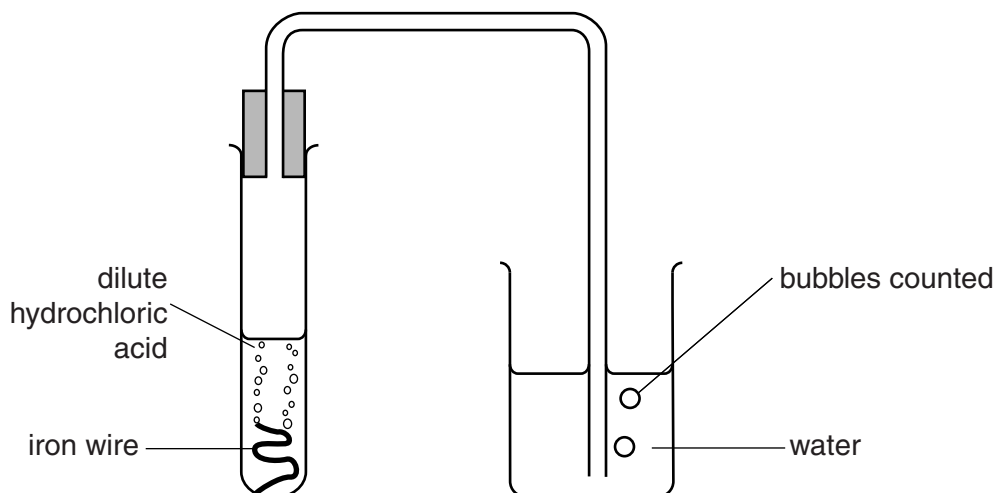


Fig. 8.1

He measures the speed of the reaction by counting the number of bubbles of hydrogen produced each minute for 10 minutes.

Some wire is left when the reaction stops.

Fig. 8.2 shows his results as a graph of number of bubbles per minute against time.

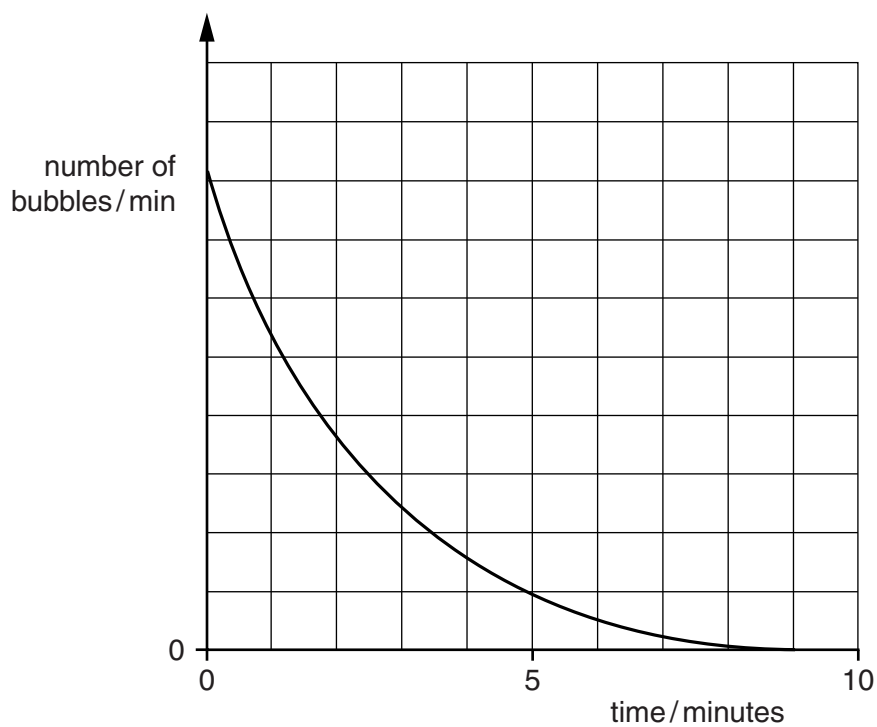


Fig. 8.2

- (a) (i) Explain, in terms of acid concentration, why the number of bubbles per minute decreases with time.

.....
.....
.....[1]

- (ii) On Fig. 8. 2, mark with an **X** the time when the reaction stops. [1]

- (iii) Explain why the reaction stops.

.....
.....[1]

- (b) He repeats the experiment using an identical piece of iron wire and the same volume of acid, but at a **higher** temperature.

- (i) Sketch the graph for his new results on Fig. 8.2. [2]

- (ii) The initial rate of reaction is different at a higher temperature.

Explain this difference in terms of the collision of particles.

.....
.....
.....
.....[2]

- 9 Fig. 9.1 shows a circuit being used to investigate the resistance of pieces of wire. The pieces of resistance wire are connected to the circuit between **X** and **Y**.

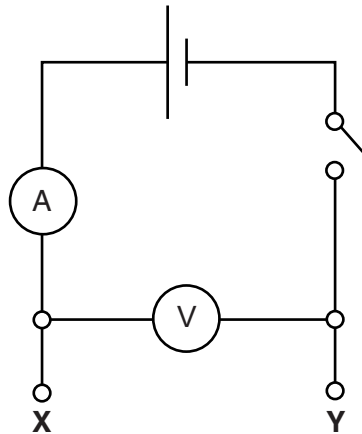


Fig. 9.1

A piece of resistance wire of length 100 cm is connected between **X** and **Y**.

The ammeter reading is 0.5 A.

The voltmeter reading is 1.2 V.

- (a) (i)** Calculate the resistance of the piece of wire.

State the formula used and show your working.

formula

working

resistance = Ω [2]

- (ii)** The piece of wire is cut into two shorter pieces of length 50 cm.

Predict the resistance of one of the shorter pieces of wire.

..... Ω [1]

(b) The energy stored in the cell in the circuit is used to drive the current round the circuit.

(i) State the equation for finding electrical power in a circuit.

.....[1]

(ii) Name the unit of power and give its symbol.

name

symbol [1]

(iii) The circuit is left switched on for 2 minutes. The current during this time is 0.5 A, and the voltage remains at 1.2V.

Calculate the energy output from the cell in this time.

State the formula used and show your working.

formula

working

energy = J [2]

(c) Most of the stored chemical energy taken from the cell is changed to thermal energy in the wire.

(i) Some of this thermal energy is then transferred to the air in contact with the wire before being transferred to the surroundings.

Name the method of thermal energy transfer by the heated air to the surroundings.

.....[1]

(ii) The rest of the thermal energy is transferred from the resistance wire to the connecting wires in the circuit.

Describe how this transfer happens in terms of molecular motion.

.....
.....
.....
.....
.....[2]

DATA SHEET
The Periodic Table of the Elements

Group		I	II	III	IV	V	VI	VII	0																				
		<table border="1" style="width: 100%; border-collapse: collapse; text-align: center;"> <tr> <td style="width: 10%; text-align: center;">1</td> <td style="width: 10%; text-align: center;">H Hydrogen 1</td> <td colspan="6"></td> <td style="width: 10%;"></td> <td style="width: 10%;"></td> </tr> </table>								1	H Hydrogen 1																		
1	H Hydrogen 1																												
		<table border="1" style="width: 100%; border-collapse: collapse; text-align: center;"> <tr> <td style="width: 10%;"></td> <td style="width: 10%; text-align: center;">9</td> <td style="width: 10%;"></td> <td style="width: 10%; text-align: center;">24</td> <td style="width: 10%;"></td> <td style="width: 10%;"></td> <td style="width: 10%;"></td> <td style="width: 10%;"></td> <td style="width: 10%;"></td> <td style="width: 10%;"></td> </tr> <tr> <td style="text-align: center;">7</td> <td style="text-align: center;">Li Lithium 3</td> <td style="text-align: center;">Be Beryllium 4</td> <td style="text-align: center;">Mg Magnesium 12</td> <td style="text-align: center;">Ca Calcium 20</td> <td style="text-align: center;">Sc Scandium 21</td> <td style="text-align: center;">Y Yttrium 39</td> <td style="text-align: center;">La Lanthanum 57</td> <td style="text-align: center;">Ra Radium 88</td> <td style="text-align: center;">Fr Francium 87</td> </tr> </table>									9		24							7	Li Lithium 3	Be Beryllium 4	Mg Magnesium 12	Ca Calcium 20	Sc Scandium 21	Y Yttrium 39	La Lanthanum 57	Ra Radium 88	Fr Francium 87
	9		24																										
7	Li Lithium 3	Be Beryllium 4	Mg Magnesium 12	Ca Calcium 20	Sc Scandium 21	Y Yttrium 39	La Lanthanum 57	Ra Radium 88	Fr Francium 87																				
		<table border="1" style="width: 100%; border-collapse: collapse; text-align: center;"> <tr> <td style="width: 10%;"></td> <td style="width: 10%; text-align: center;">11</td> <td style="width: 10%;"></td> <td style="width: 10%; text-align: center;">12</td> <td style="width: 10%;"></td> <td style="width: 10%;"></td> <td style="width: 10%;"></td> <td style="width: 10%;"></td> <td style="width: 10%;"></td> <td style="width: 10%;"></td> </tr> <tr> <td style="text-align: center;">23</td> <td style="text-align: center;">Na Sodium 11</td> <td style="text-align: center;">Al Aluminium 13</td> <td style="text-align: center;">Si Silicon 14</td> <td style="text-align: center;">P Phosphorus 15</td> <td style="text-align: center;">S Sulfur 16</td> <td style="text-align: center;">Cl Chlorine 17</td> <td style="text-align: center;">Ar Argon 18</td> <td style="text-align: center;">K Potassium 19</td> <td style="text-align: center;">Ne Neon 10</td> </tr> </table>									11		12							23	Na Sodium 11	Al Aluminium 13	Si Silicon 14	P Phosphorus 15	S Sulfur 16	Cl Chlorine 17	Ar Argon 18	K Potassium 19	Ne Neon 10
	11		12																										
23	Na Sodium 11	Al Aluminium 13	Si Silicon 14	P Phosphorus 15	S Sulfur 16	Cl Chlorine 17	Ar Argon 18	K Potassium 19	Ne Neon 10																				
		<table border="1" style="width: 100%; border-collapse: collapse; text-align: center;"> <tr> <td style="width: 10%;"></td> <td style="width: 10%; text-align: center;">27</td> <td style="width: 10%;"></td> <td style="width: 10%; text-align: center;">28</td> <td style="width: 10%;"></td> <td style="width: 10%;"></td> <td style="width: 10%;"></td> <td style="width: 10%;"></td> <td style="width: 10%;"></td> <td style="width: 10%;"></td> </tr> <tr> <td style="text-align: center;">39</td> <td style="text-align: center;">K Potassium 19</td> <td style="text-align: center;">Ca Calcium 20</td> <td style="text-align: center;">Sc Scandium 21</td> <td style="text-align: center;">Ti Titanium 22</td> <td style="text-align: center;">V Vanadium 23</td> <td style="text-align: center;">Cr Chromium 24</td> <td style="text-align: center;">Mn Manganese 25</td> <td style="text-align: center;">Fe Iron 26</td> <td style="text-align: center;">Ni Nickel 28</td> </tr> </table>									27		28							39	K Potassium 19	Ca Calcium 20	Sc Scandium 21	Ti Titanium 22	V Vanadium 23	Cr Chromium 24	Mn Manganese 25	Fe Iron 26	Ni Nickel 28
	27		28																										
39	K Potassium 19	Ca Calcium 20	Sc Scandium 21	Ti Titanium 22	V Vanadium 23	Cr Chromium 24	Mn Manganese 25	Fe Iron 26	Ni Nickel 28																				
		<table border="1" style="width: 100%; border-collapse: collapse; text-align: center;"> <tr> <td style="width: 10%;"></td> <td style="width: 10%; text-align: center;">37</td> <td style="width: 10%;"></td> <td style="width: 10%; text-align: center;">38</td> <td style="width: 10%;"></td> <td style="width: 10%;"></td> <td style="width: 10%;"></td> <td style="width: 10%;"></td> <td style="width: 10%;"></td> <td style="width: 10%;"></td> </tr> <tr> <td style="text-align: center;">85</td> <td style="text-align: center;">Rb Rubidium 37</td> <td style="text-align: center;">Sr Strontium 38</td> <td style="text-align: center;">Y Yttrium 39</td> <td style="text-align: center;">Zr Zirconium 40</td> <td style="text-align: center;">Nb Niobium 41</td> <td style="text-align: center;">Mo Molybdenum 42</td> <td style="text-align: center;">Tc Technetium 43</td> <td style="text-align: center;">Ru Ruthenium 44</td> <td style="text-align: center;">Rh Rhodium 45</td> </tr> </table>									37		38							85	Rb Rubidium 37	Sr Strontium 38	Y Yttrium 39	Zr Zirconium 40	Nb Niobium 41	Mo Molybdenum 42	Tc Technetium 43	Ru Ruthenium 44	Rh Rhodium 45
	37		38																										
85	Rb Rubidium 37	Sr Strontium 38	Y Yttrium 39	Zr Zirconium 40	Nb Niobium 41	Mo Molybdenum 42	Tc Technetium 43	Ru Ruthenium 44	Rh Rhodium 45																				
		<table border="1" style="width: 100%; border-collapse: collapse; text-align: center;"> <tr> <td style="width: 10%;"></td> <td style="width: 10%; text-align: center;">43</td> <td style="width: 10%;"></td> <td style="width: 10%; text-align: center;">44</td> <td style="width: 10%;"></td> <td style="width: 10%;"></td> <td style="width: 10%;"></td> <td style="width: 10%;"></td> <td style="width: 10%;"></td> <td style="width: 10%;"></td> </tr> <tr> <td style="text-align: center;">133</td> <td style="text-align: center;">Cs Caesium 55</td> <td style="text-align: center;">Ba Barium 56</td> <td style="text-align: center;">La Lanthanum 57</td> <td style="text-align: center;">Hf Hafnium 72</td> <td style="text-align: center;">Ta Tantalum 73</td> <td style="text-align: center;">W Tungsten 74</td> <td style="text-align: center;">Re Rhenium 75</td> <td style="text-align: center;">Os Osmium 76</td> <td style="text-align: center;">Ir Iridium 77</td> </tr> </table>									43		44							133	Cs Caesium 55	Ba Barium 56	La Lanthanum 57	Hf Hafnium 72	Ta Tantalum 73	W Tungsten 74	Re Rhenium 75	Os Osmium 76	Ir Iridium 77
	43		44																										
133	Cs Caesium 55	Ba Barium 56	La Lanthanum 57	Hf Hafnium 72	Ta Tantalum 73	W Tungsten 74	Re Rhenium 75	Os Osmium 76	Ir Iridium 77																				
		<table border="1" style="width: 100%; border-collapse: collapse; text-align: center;"> <tr> <td style="width: 10%;"></td> <td style="width: 10%; text-align: center;">49</td> <td style="width: 10%;"></td> <td style="width: 10%; text-align: center;">50</td> <td style="width: 10%;"></td> <td style="width: 10%;"></td> <td style="width: 10%;"></td> <td style="width: 10%;"></td> <td style="width: 10%;"></td> <td style="width: 10%;"></td> </tr> <tr> <td style="text-align: center;">209</td> <td style="text-align: center;">Tl Thallium 81</td> <td style="text-align: center;">Pb Lead 82</td> <td style="text-align: center;">Bi Bismuth 83</td> <td style="text-align: center;">Po Polonium 84</td> <td style="text-align: center;">At Astatine 85</td> <td style="text-align: center;">Rn Radon 86</td> <td style="text-align: center;">Fr Francium 87</td> <td style="text-align: center;">Ra Radium 88</td> <td style="text-align: center;">Ac Actinium 89</td> </tr> </table>									49		50							209	Tl Thallium 81	Pb Lead 82	Bi Bismuth 83	Po Polonium 84	At Astatine 85	Rn Radon 86	Fr Francium 87	Ra Radium 88	Ac Actinium 89
	49		50																										
209	Tl Thallium 81	Pb Lead 82	Bi Bismuth 83	Po Polonium 84	At Astatine 85	Rn Radon 86	Fr Francium 87	Ra Radium 88	Ac Actinium 89																				
		<table border="1" style="width: 100%; border-collapse: collapse; text-align: center;"> <tr> <td style="width: 10%;"></td> <td style="width: 10%; text-align: center;">55</td> <td style="width: 10%;"></td> <td style="width: 10%; text-align: center;">56</td> <td style="width: 10%;"></td> <td style="width: 10%;"></td> <td style="width: 10%;"></td> <td style="width: 10%;"></td> <td style="width: 10%;"></td> <td style="width: 10%;"></td> </tr> <tr> <td style="text-align: center;">101</td> <td style="text-align: center;">In Indium 49</td> <td style="text-align: center;">Sn Tin 50</td> <td style="text-align: center;">Sb Antimony 51</td> <td style="text-align: center;">Te Tellurium 52</td> <td style="text-align: center;">I Iodine 53</td> <td style="text-align: center;">Xe Xenon 54</td> <td style="text-align: center;">Ga Gallium 31</td> <td style="text-align: center;">Ge Germanium 32</td> <td style="text-align: center;">As Arsenic 33</td> </tr> </table>									55		56							101	In Indium 49	Sn Tin 50	Sb Antimony 51	Te Tellurium 52	I Iodine 53	Xe Xenon 54	Ga Gallium 31	Ge Germanium 32	As Arsenic 33
	55		56																										
101	In Indium 49	Sn Tin 50	Sb Antimony 51	Te Tellurium 52	I Iodine 53	Xe Xenon 54	Ga Gallium 31	Ge Germanium 32	As Arsenic 33																				
		<table border="1" style="width: 100%; border-collapse: collapse; text-align: center;"> <tr> <td style="width: 10%;"></td> <td style="width: 10%; text-align: center;">61</td> <td style="width: 10%;"></td> <td style="width: 10%; text-align: center;">62</td> <td style="width: 10%;"></td> <td style="width: 10%;"></td> <td style="width: 10%;"></td> <td style="width: 10%;"></td> <td style="width: 10%;"></td> <td style="width: 10%;"></td> </tr> <tr> <td style="text-align: center;">112</td> <td style="text-align: center;">Cd Cadmium 48</td> <td style="text-align: center;">Hg Mercury 80</td> <td style="text-align: center;">Tl Thallium 81</td> <td style="text-align: center;">Pb Lead 82</td> <td style="text-align: center;">Bi Bismuth 83</td> <td style="text-align: center;">Po Polonium 84</td> <td style="text-align: center;">At Astatine 85</td> <td style="text-align: center;">Rn Radon 86</td> <td style="text-align: center;">Kr Krypton 36</td> </tr> </table>									61		62							112	Cd Cadmium 48	Hg Mercury 80	Tl Thallium 81	Pb Lead 82	Bi Bismuth 83	Po Polonium 84	At Astatine 85	Rn Radon 86	Kr Krypton 36
	61		62																										
112	Cd Cadmium 48	Hg Mercury 80	Tl Thallium 81	Pb Lead 82	Bi Bismuth 83	Po Polonium 84	At Astatine 85	Rn Radon 86	Kr Krypton 36																				
		<table border="1" style="width: 100%; border-collapse: collapse; text-align: center;"> <tr> <td style="width: 10%;"></td> <td style="width: 10%; text-align: center;">67</td> <td style="width: 10%;"></td> <td style="width: 10%; text-align: center;">68</td> <td style="width: 10%;"></td> <td style="width: 10%;"></td> <td style="width: 10%;"></td> <td style="width: 10%;"></td> <td style="width: 10%;"></td> <td style="width: 10%;"></td> </tr> <tr> <td style="text-align: center;">119</td> <td style="text-align: center;">Ag Silver 47</td> <td style="text-align: center;">Au Gold 79</td> <td style="text-align: center;">Hg Mercury 80</td> <td style="text-align: center;">Pb Lead 82</td> <td style="text-align: center;">Bi Bismuth 83</td> <td style="text-align: center;">Po Polonium 84</td> <td style="text-align: center;">At Astatine 85</td> <td style="text-align: center;">Rn Radon 86</td> <td style="text-align: center;">Se Selenium 34</td> </tr> </table>									67		68							119	Ag Silver 47	Au Gold 79	Hg Mercury 80	Pb Lead 82	Bi Bismuth 83	Po Polonium 84	At Astatine 85	Rn Radon 86	Se Selenium 34
	67		68																										
119	Ag Silver 47	Au Gold 79	Hg Mercury 80	Pb Lead 82	Bi Bismuth 83	Po Polonium 84	At Astatine 85	Rn Radon 86	Se Selenium 34																				
		<table border="1" style="width: 100%; border-collapse: collapse; text-align: center;"> <tr> <td style="width: 10%;"></td> <td style="width: 10%; text-align: center;">73</td> <td style="width: 10%;"></td> <td style="width: 10%; text-align: center;">74</td> <td style="width: 10%;"></td> <td style="width: 10%;"></td> <td style="width: 10%;"></td> <td style="width: 10%;"></td> <td style="width: 10%;"></td> <td style="width: 10%;"></td> </tr> <tr> <td style="text-align: center;">127</td> <td style="text-align: center;">Br Bromine 35</td> <td style="text-align: center;">Kr Krypton 36</td> <td style="text-align: center;">Rb Rubidium 37</td> <td style="text-align: center;">Sr Strontium 38</td> <td style="text-align: center;">Y Yttrium 39</td> <td style="text-align: center;">Zr Zirconium 40</td> <td style="text-align: center;">Nb Niobium 41</td> <td style="text-align: center;">Mo Molybdenum 42</td> <td style="text-align: center;">Tc Technetium 43</td> </tr> </table>									73		74							127	Br Bromine 35	Kr Krypton 36	Rb Rubidium 37	Sr Strontium 38	Y Yttrium 39	Zr Zirconium 40	Nb Niobium 41	Mo Molybdenum 42	Tc Technetium 43
	73		74																										
127	Br Bromine 35	Kr Krypton 36	Rb Rubidium 37	Sr Strontium 38	Y Yttrium 39	Zr Zirconium 40	Nb Niobium 41	Mo Molybdenum 42	Tc Technetium 43																				
		<table border="1" style="width: 100%; border-collapse: collapse; text-align: center;"> <tr> <td style="width: 10%;"></td> <td style="width: 10%; text-align: center;">79</td> <td style="width: 10%;"></td> <td style="width: 10%; text-align: center;">80</td> <td style="width: 10%;"></td> <td style="width: 10%;"></td> <td style="width: 10%;"></td> <td style="width: 10%;"></td> <td style="width: 10%;"></td> <td style="width: 10%;"></td> </tr> <tr> <td style="text-align: center;">131</td> <td style="text-align: center;">Xe Xenon 54</td> <td style="text-align: center;">Cs Caesium 55</td> <td style="text-align: center;">Ba Barium 56</td> <td style="text-align: center;">La Lanthanum 57</td> <td style="text-align: center;">Hf Hafnium 72</td> <td style="text-align: center;">Ta Tantalum 73</td> <td style="text-align: center;">W Tungsten 74</td> <td style="text-align: center;">Re Rhenium 75</td> <td style="text-align: center;">Os Osmium 76</td> </tr> </table>									79		80							131	Xe Xenon 54	Cs Caesium 55	Ba Barium 56	La Lanthanum 57	Hf Hafnium 72	Ta Tantalum 73	W Tungsten 74	Re Rhenium 75	Os Osmium 76
	79		80																										
131	Xe Xenon 54	Cs Caesium 55	Ba Barium 56	La Lanthanum 57	Hf Hafnium 72	Ta Tantalum 73	W Tungsten 74	Re Rhenium 75	Os Osmium 76																				
		<table border="1" style="width: 100%; border-collapse: collapse; text-align: center;"> <tr> <td style="width: 10%;"></td> <td style="width: 10%; text-align: center;">85</td> <td style="width: 10%;"></td> <td style="width: 10%; text-align: center;">86</td> <td style="width: 10%;"></td> <td style="width: 10%;"></td> <td style="width: 10%;"></td> <td style="width: 10%;"></td> <td style="width: 10%;"></td> <td style="width: 10%;"></td> </tr> <tr> <td style="text-align: center;">169</td> <td style="text-align: center;">Tm Thulium 69</td> <td style="text-align: center;">Pb Lead 82</td> <td style="text-align: center;">Bi Bismuth 83</td> <td style="text-align: center;">Po Polonium 84</td> <td style="text-align: center;">At Astatine 85</td> <td style="text-align: center;">Rn Radon 86</td> <td style="text-align: center;">Lu Lutetium 71</td> <td style="text-align: center;">Yb Ytterbium 70</td> <td style="text-align: center;">Er Erbium 68</td> </tr> </table>									85		86							169	Tm Thulium 69	Pb Lead 82	Bi Bismuth 83	Po Polonium 84	At Astatine 85	Rn Radon 86	Lu Lutetium 71	Yb Ytterbium 70	Er Erbium 68
	85		86																										
169	Tm Thulium 69	Pb Lead 82	Bi Bismuth 83	Po Polonium 84	At Astatine 85	Rn Radon 86	Lu Lutetium 71	Yb Ytterbium 70	Er Erbium 68																				
		<table border="1" style="width: 100%; border-collapse: collapse; text-align: center;"> <tr> <td style="width: 10%;"></td> <td style="width: 10%; text-align: center;">91</td> <td style="width: 10%;"></td> <td style="width: 10%; text-align: center;">92</td> <td style="width: 10%;"></td> <td style="width: 10%;"></td> <td style="width: 10%;"></td> <td style="width: 10%;"></td> <td style="width: 10%;"></td> <td style="width: 10%;"></td> </tr> <tr> <td style="text-align: center;">175</td> <td style="text-align: center;">Lu Lutetium 71</td> <td style="text-align: center;">Yb Ytterbium 70</td> <td style="text-align: center;">Tm Thulium 69</td> <td style="text-align: center;">Pb Lead 82</td> <td style="text-align: center;">Bi Bismuth 83</td> <td style="text-align: center;">Po Polonium 84</td> <td style="text-align: center;">At Astatine 85</td> <td style="text-align: center;">Rn Radon 86</td> <td style="text-align: center;">Ho Holmium 67</td> </tr> </table>									91		92							175	Lu Lutetium 71	Yb Ytterbium 70	Tm Thulium 69	Pb Lead 82	Bi Bismuth 83	Po Polonium 84	At Astatine 85	Rn Radon 86	Ho Holmium 67
	91		92																										
175	Lu Lutetium 71	Yb Ytterbium 70	Tm Thulium 69	Pb Lead 82	Bi Bismuth 83	Po Polonium 84	At Astatine 85	Rn Radon 86	Ho Holmium 67																				
		<table border="1" style="width: 100%; border-collapse: collapse; text-align: center;"> <tr> <td style="width: 10%;"></td> <td style="width: 10%; text-align: center;">97</td> <td style="width: 10%;"></td> <td style="width: 10%; text-align: center;">98</td> <td style="width: 10%;"></td> <td style="width: 10%;"></td> <td style="width: 10%;"></td> <td style="width: 10%;"></td> <td style="width: 10%;"></td> <td style="width: 10%;"></td> </tr> <tr> <td style="text-align: center;">250</td> <td style="text-align: center;">Lr Lawrencium 103</td> <td style="text-align: center;">No Nobelium 102</td> <td style="text-align: center;">Md Mendelevium 101</td> <td style="text-align: center;">Po Polonium 84</td> <td style="text-align: center;">At Astatine 85</td> <td style="text-align: center;">Rn Radon 86</td> <td style="text-align: center;">Es Einsteinium 99</td> <td style="text-align: center;">Fm Fermium 100</td> <td style="text-align: center;">Er Erbium 68</td> </tr> </table>									97		98							250	Lr Lawrencium 103	No Nobelium 102	Md Mendelevium 101	Po Polonium 84	At Astatine 85	Rn Radon 86	Es Einsteinium 99	Fm Fermium 100	Er Erbium 68
	97		98																										
250	Lr Lawrencium 103	No Nobelium 102	Md Mendelevium 101	Po Polonium 84	At Astatine 85	Rn Radon 86	Es Einsteinium 99	Fm Fermium 100	Er Erbium 68																				
		<table border="1" style="width: 100%; border-collapse: collapse; text-align: center;"> <tr> <td style="width: 10%;"></td> <td style="width: 10%; text-align: center;">103</td> <td style="width: 10%;"></td> <td style="width: 10%; text-align: center;">104</td> <td style="width: 10%;"></td> <td style="width: 10%;"></td> <td style="width: 10%;"></td> <td style="width: 10%;"></td> <td style="width: 10%;"></td> <td style="width: 10%;"></td> </tr> <tr> <td style="text-align: center;">162</td> <td style="text-align: center;">Dy Dysprosium 66</td> <td style="text-align: center;">Ho Holmium 67</td> <td style="text-align: center;">Er Erbium 68</td> <td style="text-align: center;">Tm Thulium 69</td> <td style="text-align: center;">Pb Lead 82</td> <td style="text-align: center;">Bi Bismuth 83</td> <td style="text-align: center;">Po Polonium 84</td> <td style="text-align: center;">At Astatine 85</td> <td style="text-align: center;">Rn Radon 86</td> </tr> </table>									103		104							162	Dy Dysprosium 66	Ho Holmium 67	Er Erbium 68	Tm Thulium 69	Pb Lead 82	Bi Bismuth 83	Po Polonium 84	At Astatine 85	Rn Radon 86
	103		104																										
162	Dy Dysprosium 66	Ho Holmium 67	Er Erbium 68	Tm Thulium 69	Pb Lead 82	Bi Bismuth 83	Po Polonium 84	At Astatine 85	Rn Radon 86																				
		<table border="1" style="width: 100%; border-collapse: collapse; text-align: center;"> <tr> <td style="width: 10%;"></td> <td style="width: 10%; text-align: center;">109</td> <td style="width: 10%;"></td> <td style="width: 10%; text-align: center;">110</td> <td style="width: 10%;"></td> <td style="width: 10%;"></td> <td style="width: 10%;"></td> <td style="width: 10%;"></td> <td style="width: 10%;"></td> <td style="width: 10%;"></td> </tr> <tr> <td style="text-align: center;">152</td> <td style="text-align: center;">Eu Europium 63</td> <td style="text-align: center;">Gd Gadolinium 64</td> <td style="text-align: center;">Tb Terbium 65</td> <td style="text-align: center;">Dy Dysprosium 66</td> <td style="text-align: center;">Ho Holmium 67</td> <td style="text-align: center;">Er Erbium 68</td> <td style="text-align: center;">Tm Thulium 69</td> <td style="text-align: center;">Pb Lead 82</td> <td style="text-align: center;">Bi Bismuth 83</td> </tr> </table>									109		110							152	Eu Europium 63	Gd Gadolinium 64	Tb Terbium 65	Dy Dysprosium 66	Ho Holmium 67	Er Erbium 68	Tm Thulium 69	Pb Lead 82	Bi Bismuth 83
	109		110																										
152	Eu Europium 63	Gd Gadolinium 64	Tb Terbium 65	Dy Dysprosium 66	Ho Holmium 67	Er Erbium 68	Tm Thulium 69	Pb Lead 82	Bi Bismuth 83																				
		<table border="1" style="width: 100%; border-collapse: collapse; text-align: center;"> <tr> <td style="width: 10%;"></td> <td style="width: 10%; text-align: center;">105</td> <td style="width: 10%;"></td> <td style="width: 10%; text-align: center;">106</td> <td style="width: 10%;"></td> <td style="width: 10%;"></td> <td style="width: 10%;"></td> <td style="width: 10%;"></td> <td style="width: 10%;"></td> <td style="width: 10%;"></td> </tr> <tr> <td style="text-align: center;">157</td> <td style="text-align: center;">Gd Gadolinium 64</td> <td style="text-align: center;">Tb Terbium 65</td> <td style="text-align: center;">Dy Dysprosium 66</td> <td style="text-align: center;">Ho Holmium 67</td> <td style="text-align: center;">Er Erbium 68</td> <td style="text-align: center;">Tm Thulium 69</td> <td style="text-align: center;">Pb Lead 82</td> <td style="text-align: center;">Bi Bismuth 83</td> <td style="text-align: center;">Po Polonium 84</td> </tr> </table>									105		106							157	Gd Gadolinium 64	Tb Terbium 65	Dy Dysprosium 66	Ho Holmium 67	Er Erbium 68	Tm Thulium 69	Pb Lead 82	Bi Bismuth 83	Po Polonium 84
	105		106																										
157	Gd Gadolinium 64	Tb Terbium 65	Dy Dysprosium 66	Ho Holmium 67	Er Erbium 68	Tm Thulium 69	Pb Lead 82	Bi Bismuth 83	Po Polonium 84																				
		<table border="1" style="width: 100%; border-collapse: collapse; text-align: center;"> <tr> <td style="width: 10%;"></td> <td style="width: 10%; text-align: center;">111</td> <td style="width: 10%;"></td> <td style="width: 10%; text-align: center;">112</td> <td style="width: 10%;"></td> <td style="width: 10%;"></td> <td style="width: 10%;"></td> <td style="width: 10%;"></td> <td style="width: 10%;"></td> <td style="width: 10%;"></td> </tr> <tr> <td style="text-align: center;">159</td> <td style="text-align: center;">Tb Terbium 65</td> <td style="text-align: center;">Dy Dysprosium 66</td> <td style="text-align: center;">Ho Holmium 67</td> <td style="text-align: center;">Er Erbium 68</td> <td style="text-align: center;">Tm Thulium 69</td> <td style="text-align: center;">Pb Lead 82</td> <td style="text-align: center;">Bi Bismuth 83</td> <td style="text-align: center;">Po Polonium 84</td> <td style="text-align: center;">At Astatine 85</td> </tr> </table>									111		112							159	Tb Terbium 65	Dy Dysprosium 66	Ho Holmium 67	Er Erbium 68	Tm Thulium 69	Pb Lead 82	Bi Bismuth 83	Po Polonium 84	At Astatine 85
	111		112																										
159	Tb Terbium 65	Dy Dysprosium 66	Ho Holmium 67	Er Erbium 68	Tm Thulium 69	Pb Lead 82	Bi Bismuth 83	Po Polonium 84	At Astatine 85																				
		<table border="1" style="width: 100%; border-collapse: collapse; text-align: center;"> <tr> <td style="width: 10%;"></td> <td style="width: 10%; text-align: center;">117</td> <td style="width: 10%;"></td> <td style="width: 10%; text-align: center;">118</td> <td style="width: 10%;"></td> <td style="width: 10%;"></td> <td style="width: 10%;"></td> <td style="width: 10%;"></td> <td style="width: 10%;"></td> <td style="width: 10%;"></td> </tr> <tr> <td style="text-align: center;">162</td> <td style="text-align: center;">Dy Dysprosium 66</td> <td style="text-align: center;">Ho Holmium 67</td> <td style="text-align: center;">Er Erbium 68</td> <td style="text-align: center;">Tm Thulium 69</td> <td style="text-align: center;">Pb Lead 82</td> <td style="text-align: center;">Bi Bismuth 83</td> <td style="text-align: center;">Po Polonium 84</td> <td style="text-align: center;">At Astatine 85</td> <td style="text-align: center;">Rn Radon 86</td> </tr> </table>									117		118							162	Dy Dysprosium 66	Ho Holmium 67	Er Erbium 68	Tm Thulium 69	Pb Lead 82	Bi Bismuth 83	Po Polonium 84	At Astatine 85	Rn Radon 86
	117		118																										
162	Dy Dysprosium 66	Ho Holmium 67	Er Erbium 68	Tm Thulium 69	Pb Lead 82	Bi Bismuth 83	Po Polonium 84	At Astatine 85	Rn Radon 86																				
		<table border="1" style="width: 100%; border-collapse: collapse; text-align: center;"> <tr> <td style="width: 10%;"></td> <td style="width: 10%; text-align: center;">119</td> <td style="width: 10%;"></td> <td style="width: 10%; text-align: center;">120</td> <td style="width: 10%;"></td> <td style="width: 10%;"></td> <td style="width: 10%;"></td> <td style="width: 10%;"></td> <td style="width: 10%;"></td> <td style="width: 10%;"></td> </tr> <tr> <td style="text-align: center;">162</td> <td style="text-align: center;">Dy Dysprosium 66</td> <td style="text-align: center;">Ho Holmium 67</td> <td style="text-align: center;">Er Erbium 68</td> <td style="text-align: center;">Tm Thulium 69</td> <td style="text-align: center;">Pb Lead 82</td> <td style="text-align: center;">Bi Bismuth 83</td> <td style="text-align: center;">Po Polonium 84</td> <td style="text-align: center;">At Astatine 85</td> <td style="text-align: center;">Rn Radon 86</td> </tr> </table>									119		120							162	Dy Dysprosium 66	Ho Holmium 67	Er Erbium 68	Tm Thulium 69	Pb Lead 82	Bi Bismuth 83	Po Polonium 84	At Astatine 85	Rn Radon 86
	119		120																										
162	Dy Dysprosium 66	Ho Holmium 67	Er Erbium 68	Tm Thulium 69	Pb Lead 82	Bi Bismuth 83	Po Polonium 84	At Astatine 85	Rn Radon 86																				
		<table border="1" style="width: 100%; border-collapse: collapse; text-align: center;"> <tr> <td style="width: 10%;"></td> <td style="width: 10%; text-align: center;">121</td> <td style="width: 10%;"></td> <td style="width: 10%; text-align: center;">122</td> <td style="width: 10%;"></td> <td style="width: 10%;"></td> <td style="width: 10%;"></td> <td style="width: 10%;"></td> <td style="width: 10%;"></td> <td style="width: 10%;"></td> </tr> <tr> <td style="text-align: center;">162</td> <td style="text-align: center;">Dy Dysprosium 66</td> <td style="text-align: center;">Ho Holmium 67</td> <td style="text-align: center;">Er Erbium 68</td> <td style="text-align: center;">Tm Thulium 69</td> <td style="text-align: center;">Pb Lead 82</td> <td style="text-align: center;">Bi Bismuth 83</td> <td style="text-align: center;">Po Polonium 84</td> <td style="text-align: center;">At Astatine 85</td> <td style="text-align: center;">Rn Radon 86</td> </tr> </table>									121		122							162	Dy Dysprosium 66	Ho Holmium 67	Er Erbium 68	Tm Thulium 69	Pb Lead 82	Bi Bismuth 83	Po Polonium 84	At Astatine 85	Rn Radon 86
	121		122																										
162	Dy Dysprosium 66	Ho Holmium 67	Er Erbium 68	Tm Thulium 69	Pb Lead 82	Bi Bismuth 83	Po Polonium 84	At Astatine 85	Rn Radon 86																				
		<table border="1" style="width: 100%; border-collapse: collapse; text-align: center;"> <tr> <td style="width: 10%;"></td> <td style="width: 10%; text-align: center;">123</td> <td style="width: 10%;"></td> <td style="width: 10%; text-align: center;">124</td> <td style="width: 10%;"></td> <td style="width: 10%;"></td> <td style="width: 10%;"></td> <td style="width: 10%;"></td> <td style="width: 10%;"></td> <td style="width: 10%;"></td> </tr> <tr> <td style="text-align: center;">162</td> <td style="text-align: center;">Dy Dysprosium 66</td> <td style="text-align: center;">Ho Holmium 67</td> <td style="text-align: center;">Er Erbium 68</td> <td style="text-align: center;">Tm Thulium 69</td> <td style="text-align: center;">Pb Lead 82</td> <td style="text-align: center;">Bi Bismuth 83</td> <td style="text-align: center;">Po Polonium 84</td> <td style="text-align: center;">At Astatine 85</td> <td style="text-align: center;">Rn Radon 86</td> </tr> </table>									123		124							162	Dy Dysprosium 66	Ho Holmium 67	Er Erbium 68	Tm Thulium 69	Pb Lead 82	Bi Bismuth 83	Po Polonium 84	At Astatine 85	Rn Radon 86
	123		124																										
162	Dy Dysprosium 66	Ho Holmium 67	Er Erbium 68	Tm Thulium 69	Pb Lead 82	Bi Bismuth 83	Po Polonium 84	At Astatine 85	Rn Radon 86																				
		<table border="1" style="width: 100%; border-collapse: collapse; text-align: center;"> <tr> <td style="width: 10%;"></td> <td style="width: 10%; text-align: center;">125</td> <td style="width: 10%;"></td> <td style="width: 10%; text-align: center;">126</td> <td style="width: 10%;"></td> <td style="width: 10%;"></td> <td style="width: 10%;"></td> <td style="width: 10%;"></td> <td style="width: 10%;"></td> <td style="width: 10%;"></td> </tr> <tr> <td style="text-align: center;">162</td> <td style="text-align: center;">Dy Dysprosium 66</td> <td style="text-align: center;">Ho Holmium 67</td> <td style="text-align: center;">Er Erbium 68</td> <td style="text-align: center;">Tm Thulium 69</td> <td style="text-align: center;">Pb Lead 82</td> <td style="text-align: center;">Bi Bismuth 83</td> <td style="text-align: center;">Po Polonium 84</td> <td style="text-align: center;">At Astatine 85</td> <td style="text-align: center;">Rn Radon 86</td> </tr> </table>									125		126							162	Dy Dysprosium 66	Ho Holmium 67	Er Erbium 68	Tm Thulium 69	Pb Lead 82	Bi Bismuth 83	Po Polonium 84	At Astatine 85	Rn Radon 86
	125		126																										
162	Dy Dysprosium 66	Ho Holmium 67	Er Erbium 68	Tm Thulium 69	Pb Lead 82	Bi Bismuth 83	Po Polonium 84	At Astatine 85	Rn Radon 86																				
		<table border="1" style="width: 100%; border-collapse: collapse; text-align: center;"> <tr> <td style="width: 10%;"></td> <td style="width: 10%; text-align: center;">127</td> <td style="width: 10%;"></td> <td style="width: 10%; text-align: center;">128</td> <td style="width: 10%;"></td> <td style="width: 10%;"></td> <td style="width: 10%;"></td> <td style="width: 10%;"></td> <td style="width: 10%;"></td> <td style="width: 10%;"></td> </tr> <tr> <td style="text-align: center;">162</td> <td style="text-align: center;">Dy Dysprosium 66</td> <td style="text-align: center;">Ho Holmium 67</td> <td style="text-align: center;">Er Erbium 68</td> <td style="text-align: center;">Tm Thulium 69</td> <td style="text-align: center;">Pb Lead 82</td> <td style="text-align: center;">Bi Bismuth 83</td> <td style="text-align: center;">Po Polonium 84</td> <td style="text-align: center;">At Astatine 85</td> <td style="text-align: center;">Rn Radon 86</td> </tr> </table>									127		128							162	Dy Dysprosium 66	Ho Holmium 67	Er Erbium 68	Tm Thulium 69	Pb Lead 82	Bi Bismuth 83	Po Polonium 84	At Astatine 85	Rn Radon 86
	127		128																										
162	Dy Dysprosium 66	Ho Holmium 67	Er Erbium 68	Tm Thulium 69	Pb Lead 82	Bi Bismuth 83	Po Polonium 84	At Astatine 85	Rn Radon 86																				
		<table border="1" style="width: 100%; border-collapse: collapse; text-align: center;"> <tr> <td style="width: 10%;"></td> <td style="width: 10%; text-align: center;">129</td> <td style="width: 10%;"></td> <td style="width: 10%; text-align: center;">130</td> <td style="width: 10%;"></td> <td style="width: 10%;"></td> <td style="width: 10%;"></td> <td style="width: 10%;"></td> <td style="width: 10%;"></td> <td style="width: 10%;"></td> </tr> <tr> <td style="text-align: center;">162</td> <td style="text-align: center;">Dy Dysprosium 66</td> <td style="text-align: center;">Ho Holmium 67</td> <td style="text-align: center;">Er Erbium 68</td> <td style="text-align: center;">Tm Thulium 69</td> <td style="text-align: center;">Pb Lead 82</td> <td style="text-align: center;">Bi Bismuth 83</td> <td style="text-align: center;">Po Polonium 84</td> <td style="text-align: center;">At Astatine 85</td> <td style="text-align: center;">Rn Radon 86</td> </tr> </table>									129		130							162	Dy Dysprosium 66	Ho Holmium 67	Er Erbium 68	Tm Thulium 69	Pb Lead 82	Bi Bismuth 83	Po Polonium 84	At Astatine 85	Rn Radon 86
	129		130																										
162	Dy Dysprosium 66	Ho Holmium 67	Er Erbium 68	Tm Thulium 69	Pb Lead 82	Bi Bismuth 83	Po Polonium 84	At Astatine 85	Rn Radon 86																				